

Product Specification

STATIC-GARDE

I131055FPM S10 Power Modules

STATIC CONTROL PRODUCTS

AC / DC Dual Output High Voltage Power Modules

Specifications:

- * Input Voltage: 220 VAC +or- 15%
- * Output Voltage 1: +5.5kV DC, 5.5uA, +or- 15% @1 gigohm load
- * Output Voltage 2: - 5.3kV DC, 5.3uA, +or- 15% @1 gigohm load
- * Output leads: 7.5" +or- 0.5"
- * Input leads: 7.5" +or- 0.5"

Features:

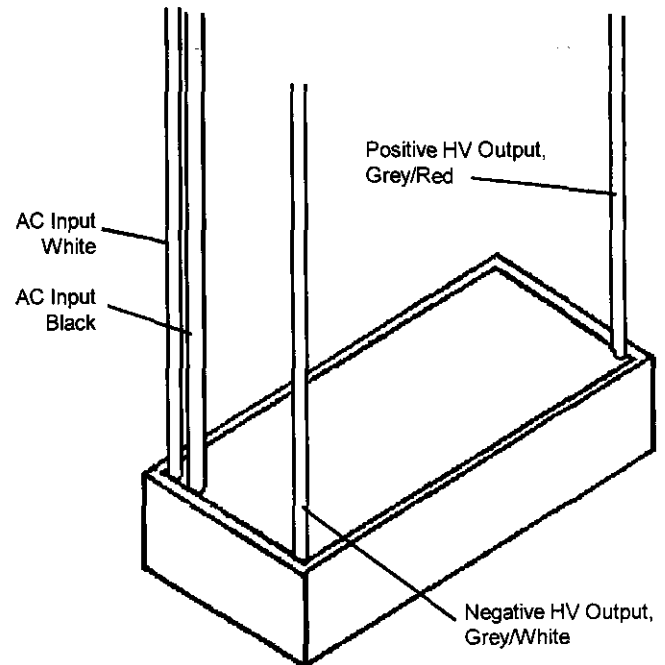
- * Low Cost
- * Both outputs change simultaneously with change in AC input.
This makes the outputs relationship insensitive to line fluctuations.
- * Negative output is factory set @ 100 to 300V lower than positive output.
- * If one output is loaded more, the other output tends to track it.
- * Small size: 3.25" x 1.65" x 1.00"

Applications:

* Used to power Spin Rinse Ionizer Assemblies. Spin Rinse Ionizers neutralize static electricity and eliminate surface contamination in critical environments such as wafer spin rinsers. The buildup of friction due to water and the spinning motions of products and carrier can cause the surfaces of non-conductive and semiconductive materials to become excessively charged. Charges may exceed 10,000 volts and damage the product.

* Used as a replacement for the discontinued Ion Plus Controller. These power modules were the heart of the Ion Plus Controller, and are ideally suited for OEM applications where additional features are not required.

Specifications subject to change without notice.



Product Specification

STATIC-GARDE

Spin Rinse Ionizer (I4009749)

STATIC CONTROL PRODUCTS

SRI Spin Rinse Ionizer

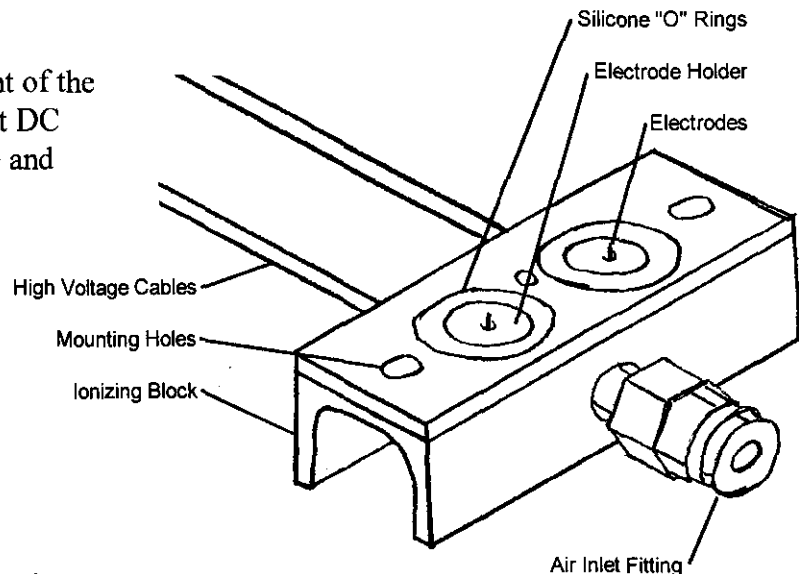
Specifications:

- * Ionizer Block dimensions: 1" wide x 2.813" long x 0.875" tall
- * Emitter pin spacing: 0.906"
- * Replaceable etched tungsten electrodes.
Silicone "O" ring seal with teflon electrode holders.
- * Mounting holes 0.219" dia., 2.188" apart
- * Air supply fitting: 1/4" tubing, fitting protrudes 0.688" from block
- * Cable length: 28" including male connector
- * Ionizer Block Material: Black Delrin
- * 3 to 5 psi recommended range of operation

Applications:

Used with S7 and S10 Power Modules. Spin Rinse Ionizers neutralize static electricity and eliminate surface contamination in critical environments such as wafer spin rinsers. The buildup of friction due to water and the spinning motions of products and carrier can cause the surfaces of non-conductive and semiconductive materials to become excessively charged. Charges may exceed 10,000 volts and damage the product.

Spin Rinse Ionizers ionize the environment of the rinsing / drying chamber directly using constant DC operation to insure balanced output of positive and negative ions.



Specifications subject to change without notice.